

ZONDA hexapod

Very stable hexapod with high precision



KEY FEATURES

- Very high stability
- Payload capacity up to 400 kg
- Vacuum compatibility
- Large travel ranges
- Absolute linear encoders



APPLICATIONS

- Synchrotrons
- Metrology
- Optics
- Instrumentation
- Tests laboratories
- Aeronautics and space
- Semiconductors



ISO5 clean room compatible hexapod to test space optical instruments for MTG (Meteosat Third Generation) satellites at BERTIN Technologies.



ZONDA Hexapod in a vacuum chamber with a mirror for optical calibration at Thales Alenia Space.



This HV ZONDA hexapod is used for the thermal vacuum tests and calibration of some of the cameras of PLATO mission at IAS.



This ZONDA S hexapod aligns two parts of a space telescope in an ISO5 clean room.



This ZONDA S positions a coronagraph in order to characterize it in a vacuum chamber at Liege Space Center (CSL).

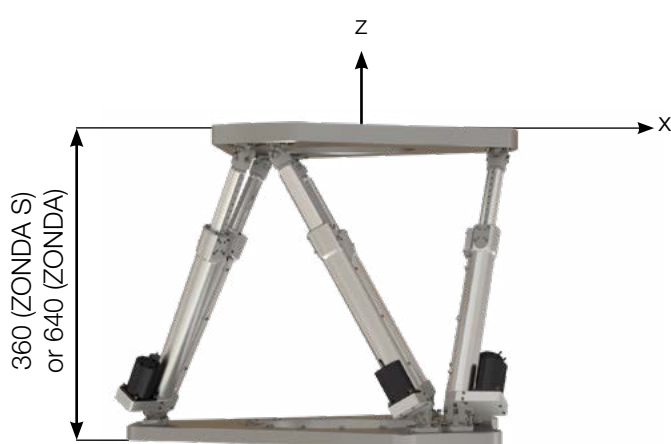


This ZONDA hexapod positions a laser interferometer (Zygo) in order to characterize the X-ray mirrors at Synchrotron SOLEIL.

	ZONDA S	ZONDA
	for small travel range	for large travel range
Motion and positioning		
Travel range Tx, Ty, (mm)	± 50	± 200
Travel range Tz (mm)	± 25	± 150
Travel range Rx, Ry (deg)	± 10	± 20
Travel range Rz (deg)	± 20	± 20
Resolution Tx, Ty, Tz (µm)	0.1	0.1
Resolution Rx, Ry, Rz (µrad)	1.5	0.5
Repeatability Tx, Ty, Tz (µm)	± 0.25	± 0.25
Repeatability Rx, Ry, Rz (µrad)	± 2.5	± 1
Speed Tx, Ty (mm/s)	0.55	0.8
Speed Tz (mm/s)	0.4	0.4
Speed Rx, Ry (deg/s)	0.075	0.2
Speed Rz (deg/s)	0.12	0.4
Mechanical properties		
Stiffness X, Y (N/µm)	5	8.5
Stiffness Z (N/µm)	50	30
Payload capacity (kg) (vertical orientation / horizontal orientation)	400 / 140	400 / 140
Motor type	Stepper	Stepper
Encoder type	Absolute linear encoder	Absolute linear encoder
Miscellaneous		
Operating temperature range (°C)	0 to + 75	0 to + 75
Materials	Aluminum, stainless steel, Invar, Peek	Aluminum, stainless steel, Invar, Peek
Size mobile platform (mm)	Ø 320	Ø 720
Height in middle position (mm)	360	640
Mass (kg)	37	99
Cable length (m)	3	3
Options	Clean room compatibility Vacuum compatibility Higher speed with brushless or DC motor Hand-held control unit	
Controller		
Controller type	ALPHA+	
Interface	Ethernet	
Power supply	110-240 VAC / 50-60 Hz	

Datasheet subject to change without notice. All data are superseded by any new release. R230928

The performances are specified for single axis motions, with all other axes at midrange and for a rotation center in the middle of the mobile platform.



Hexapod in middle position

