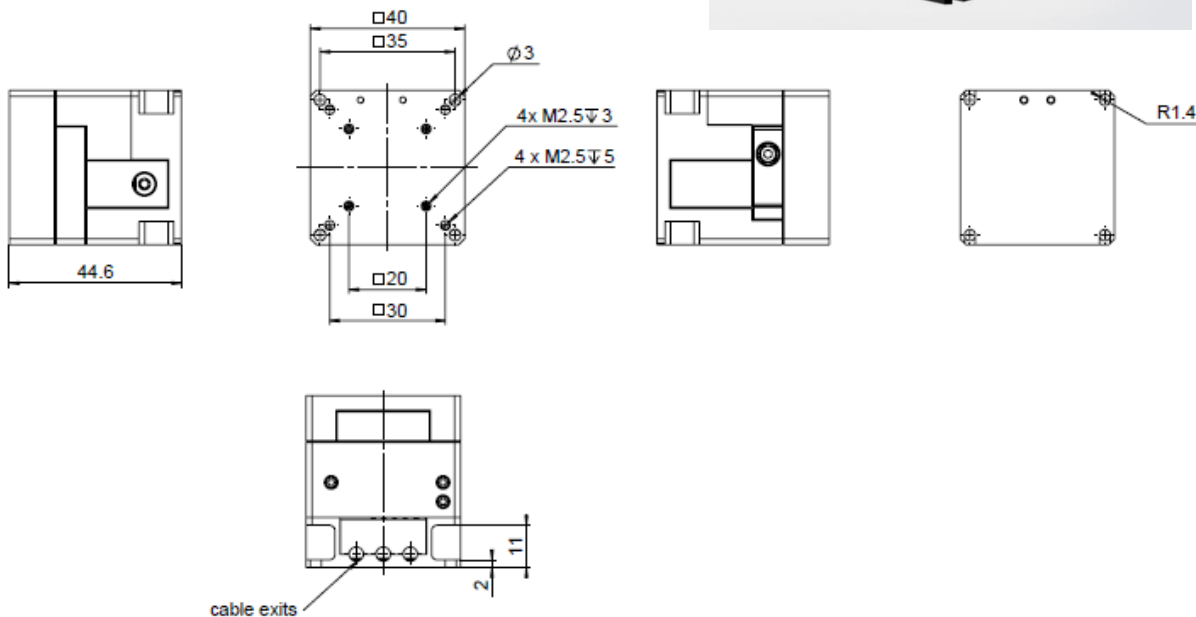
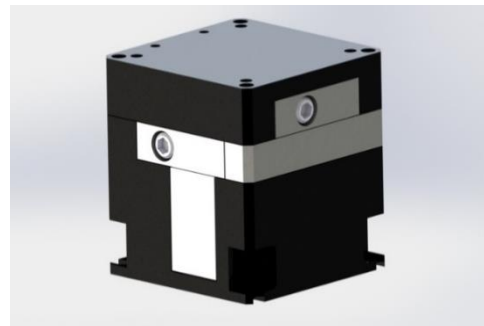


Product-Specification

Product	CUBE 100			
Product-Number	C3O-L00100	C3S-D00100	Unit	Tolerance
Position-Sensor	-	SGS		
Range (0..150 V)	75	75	μm	±10%
Range (-45..180 V)	120	120	μm	±10%
Range, closed loop	-	100	μm	±0.2%
Resolution, open loop	0.5	0.5	nm	typ.
Resolution, closed loop	-	1	nm	typ.
Linearity, closed loop	-	0.2	%	max.
Repeatability, closed loop	-	10	nm	typ.
Load	500		g	max.
Push/Pull	15/10		N	max.
Stiffness	1.5		N/μm	±10%
Lowest Resonance, unloaded	370		Hz	±10%
Lowest Resonance, w/ load 30g	310		Hz	±10%
El. Capacitance @ 1V eff. 1kHz	2.2/axis		μF	±10%
Body-Material	aluminum, stainless steel			
Dimensions	40x40x44.6		mm	
Mass	230		g	±5%
Wire-Length	1.5		m	
Connectors	Lemos	DSub		
Operating Temperature	-20..+80		°C	

Options:

- Vacuum-Compatibility and/or Non-Magnetic
- Suitable drivers, open-loop, EBO-050100
- Suitable controllers, closed-loop, EBD-120230

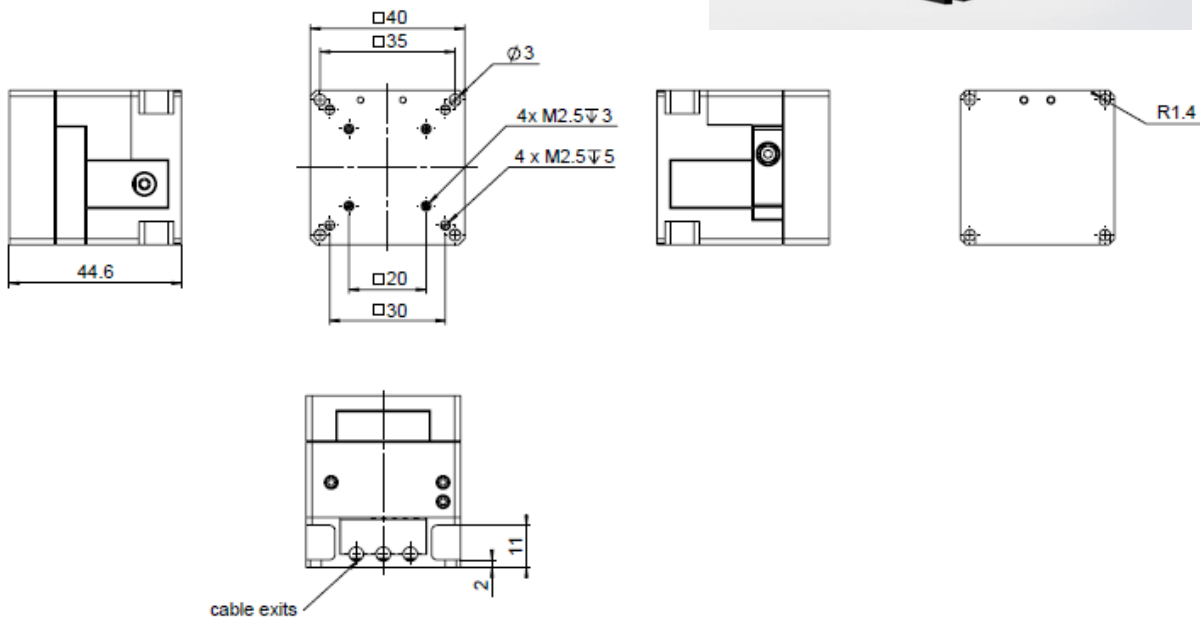
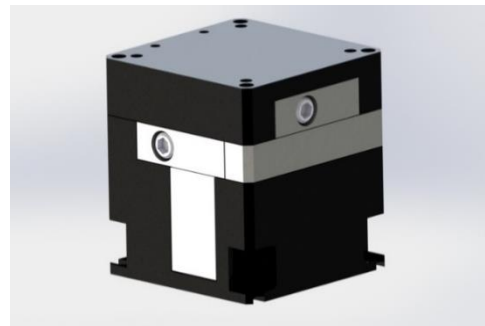


Product-Specification

Product	CUBE 250			
Product-Number	C3O-L00250	C3S-D00250	Unit	Tolerance
Position-Sensor	-	SGS		
Range (0..150 V)	200	200	µm	±10%
Range (-45..180 V)	330	330	µm	±10%
Range, closed loop	-	250	µm	±0.2%
Resolution, open loop	1.5	1.5	nm	typ.
Resolution, closed loop	-	2.5	nm	typ.
Linearity, closed loop	-	0.2	%	typ.
Repeatability, closed loop	-	25	nm	typ.
Load	150		g	max.
Push/Pull	15/10		N	max.
Stiffness	0.4		N/µm	±10%
Lowest Resonance, unloaded	210		Hz	±10%
Lowest Resonance, w/ load 30g	190		Hz	±10%
El. Capacitance @ 1V eff. 1kHz	2.2/axis		µF	±10%
Body-Material	aluminum, stainless steel			
Dimensions	40x40x44.6		mm	
Mass	230		g	±5%
Wire-Length	1.5		m	
Connectors	Lemosa	DSub		
Operating Temperature	-20..+80		°C	

Options:

- Vacuum-Compatibility and/or Non-Magnetic
- Suitable drivers, open-loop, EBO-050100
- Suitable controllers, closed-loop, EBD-120230



Product-Specification

Product	CUBE 600			
Product-Number	C3O-L00600	C3S-D00600	Unit	Tolerance
Position-Sensor	-	SGS		
Range (-45..180 V)	900x900x600	900x900x600	µm	±10%
Range, closed loop	-	600x600x500	µm	
Resolution, open loop	4	4	nm	typ.
Resolution, closed loop	-	6	nm	typ.
Linearity, closed loop	-	0.2	%	typ.
Repeatability, closed loop	-	50	nm	typ.
Load	200		g	max.
Push/Pull	50/20		N	max.
Stiffness	0.15		N/µm	±10%
Lowest Resonances, unloaded	190/145/130		Hz	±10%
El. Capacitance @ 1V eff. 1kHz	4.4/axis		µF	±10%
Body-Material	aluminum, stainless steel			
Dimensions	60x60x52		mm	
Wire-Length	1.5		m	
Connectors	Lemosa	DSub		
Operating Temperature	-20..+80		°C	

Options:

- Vacuum-Compatibility and/or Non-Magnetic
- Suitable drivers, open-loop, EBO-050100
- Suitable controller, closed-loop, EBD-120230

