

SOLANO hexapod

Ultra compact size hexapod with high resolution



KEY FEATURES

- Height in middle position 104 mm
- Diameter 120 mm
- High speed ± 30 mm/s
- Payload capacity up to 5 kg
- Absolute encoders



APPLICATIONS

- Instrumentation
- Optics
- Testing laboratories
- Synchrotrons
- Aeronautics and spatial
- Metrology
- Semiconductors
- Astronomy

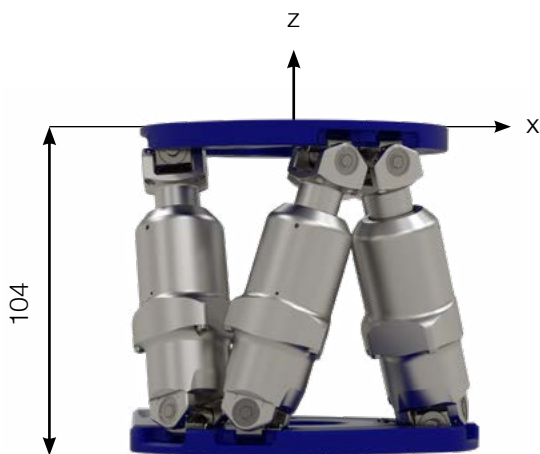


SOLANO hexapod with ultra compact height (104 mm)

SOLANO	
Motion and positioning	
Travel range Tx, Ty (mm)	± 18
Travel range Tz (mm)	± 6.5
Travel range Rx, Ry (deg)	± 10
Travel range Rz (deg)	± 21
Resolution Tx, Ty (µm)	0.1
Resolution Tz (µm)	0.08
Resolution Rx, Ry (µrad)	2.5
Resolution Rz (µrad)	3.5
Repeatability Tx, Ty, Tz (µm)	± 0.25
Repeatability Rx, Ry, Rz (µrad)	± 4
Speed Tx, Ty (mm/s)	30
Speed Tz (mm/s)	20
Speed Rx, Ry (deg/s)	15
Speed Rz (deg/s)	20
Mechanical properties	
Stiffness X, Y (N/µm)	0.3
Stiffness Z (N/µm)	5
Payload capacity (kg) (vertical orientation / horizontal orientation)	5 / 2.5
Motor type	Direct drive brushless DC motor
Encoder type	Absolute encoder (without battery or gear)
Miscellaneous	
Operating temperature range (°C)	0 to + 50
Materials	Aluminum, steel, stainless steel
Size mobile platform (mm)	Ø 100
Central aperture (mm)	Ø 50 for mobile platform ; Ø 32 for fixed platform
Height in middle position (mm)	104
Mass (kg)	1
Cable length (m)	2.5
Options	Clean room compatibility Hand-held control unit
Controller	
Controller type	ALPHA+
Interface	Ethernet
Power supply	110-240 VAC / 50-60 Hz

Datasheet subject to change without notice. All data are superseded by any new release. R230418

The performances are specified for single axis motions, with all other axes at midrange and for a rotation center in the middle of the mobile platform.



Hexapod in middle position

